

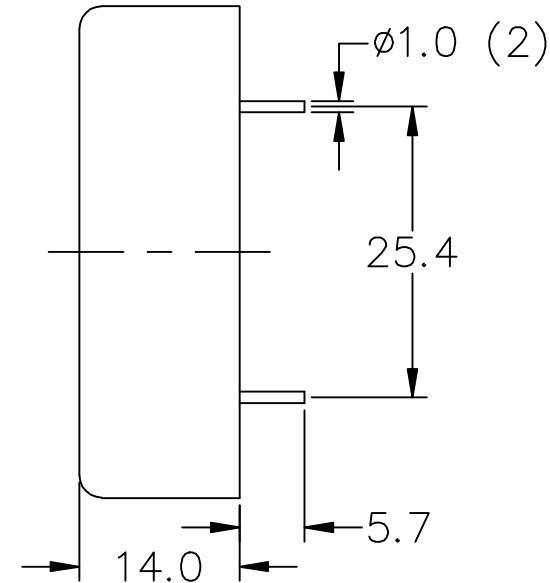
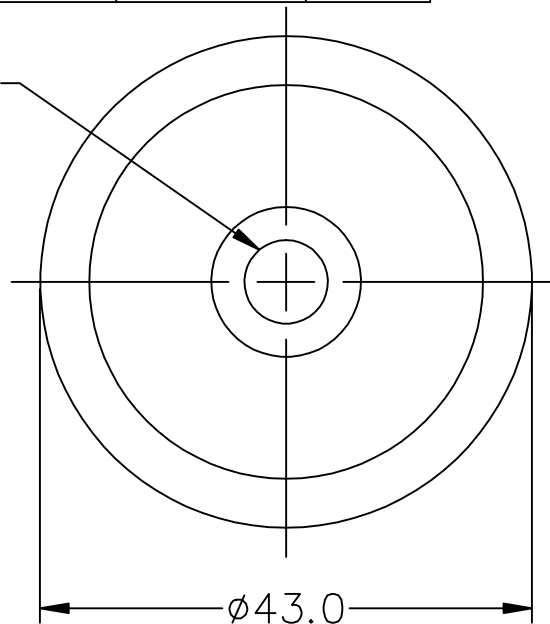
THIS DOCUMENT CONTAINS DATA PROPRIETARY TO PROJECTS UNLIMITED, INC. ANY USE OR REPRODUCTION, IN ANY FORM, WITHOUT PRIOR WRITTEN PERMISSION OF PROJECTS UNLIMITED, INC. IS PROHIBITED.
 ©2005, Projects Unlimited Inc.

SPECIFICATIONS

| PARAMETERS | VALUES | UNITS |
|-------------------------|------------------|-------------------------------|
| RATED VOLTAGE | 9 | Vdc |
| OPERATING VOLTAGE RANGE | 3 ~ 20 | Vdc |
| RATED CURRENT (MAX) | 12 | mA |
| MINIMUM SPL @ 10 cm | 95 | dBA |
| RESONANT FREQUENCY | 2800±500 | Hz |
| tone OR PULSE RATE | CONTINUOUS | ⁰ PULSE PER SECOND |
| OPERATING TEMPERATURE | -20 ~ +105 | °C |
| STORAGE TEMPERATURE | -30 ~ +105 | °C |
| HOUSING MATERIAL | NORYL | - |
| TERMINAL MATERIAL | Sn PLATED COPPER | - |
| WEIGHT | 11 | grams |

| REVISIONS | | | |
|-----------|---------------------------|---------|----------|
| LTR | DESCRIPTION | DATE | APPROVED |
| - | RELEASED FROM ENGINEERING | 1/9/06 | |
| A | REVISED SPL | 6/25/07 | D.F. |


∅7.1 SOUND EMISSION HOLE



NOTES:

1. ALL DIMENSIONS ARE IN MILLIMETERS.
2. SPECIFICATION SUBJECT TO CHANGE OR WITHDRAWAL WITHOUT NOTICE.
3. THIS PART IS RoHS 2002/95/EC COMPLIANT.

FILE NAME
X-4328-TT-R.DWG

| | | | |
|---|-------|---|--------------|
| UNLESS OTHERWISE SPECIFIED: DIMENSIONS ARE IN MILLIMETERS, TOLERANCES ARE ±0.5 AND ANGLES ARE ±3°. | |  projects® unlimited Dayton , Ohio | |
| INDICATOR | | DRAWING NO. X-4328-TT-R | |
| APPROVALS | DATE | SIZE | |
| DRAWN J.A.F. | 01/06 | A | |
| CHECKED B.R. | 01/06 | | |
| APPROVED E.P. | 01/06 | | |
| DO NOT SCALE DRAWING | | SCALE: N.T.S. | SHEET 1 OF 1 |